
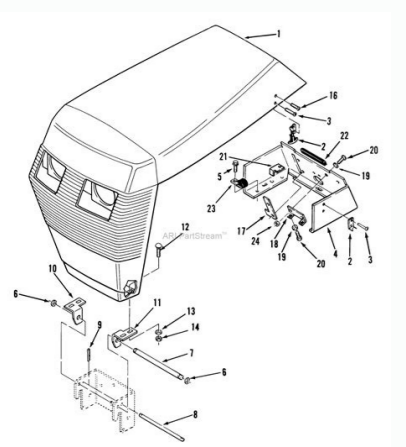
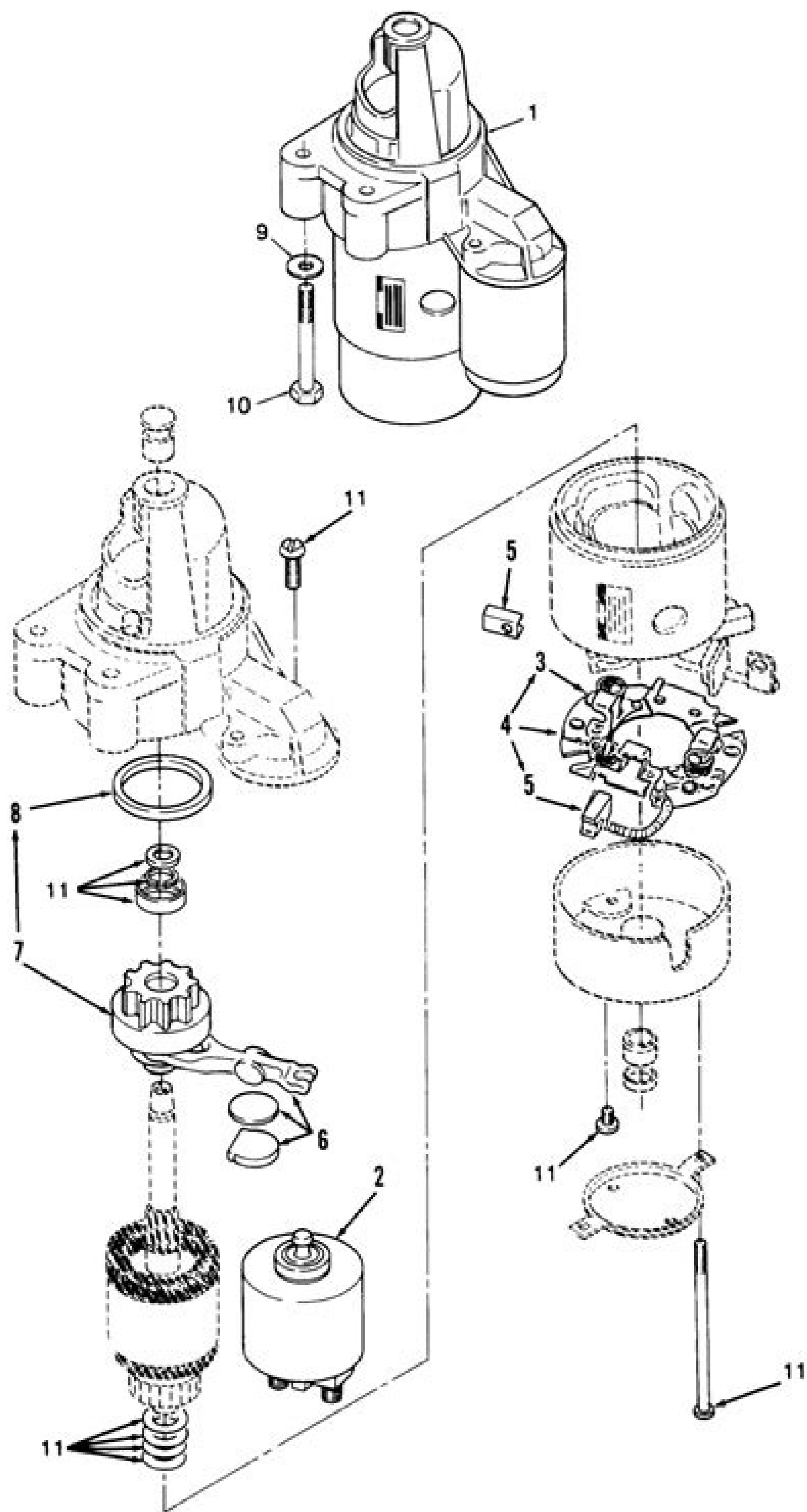


I'm not robot  reCAPTCHA

[Continue](#)



WHEEL HORSE PARTS MANUAL

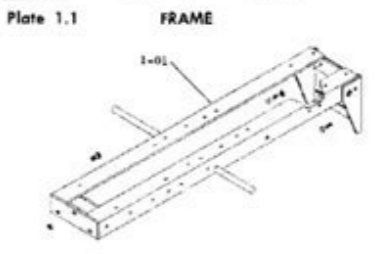


**8 - 10 - 12 - 14 HP
Eight Speed**

MODEL AND SERIAL NUMBERS
 Serial and model numbers are necessary to correctly identify your tractor and engine. Whenever you need repair parts, the tractor model and serial numbers are on a plate attached to the hood (see page below the central panel).
 The engine model and serial numbers are on a plate attached to the engine itself.
 For your convenience and ready reference, enter the model and serial numbers in the spaces below:

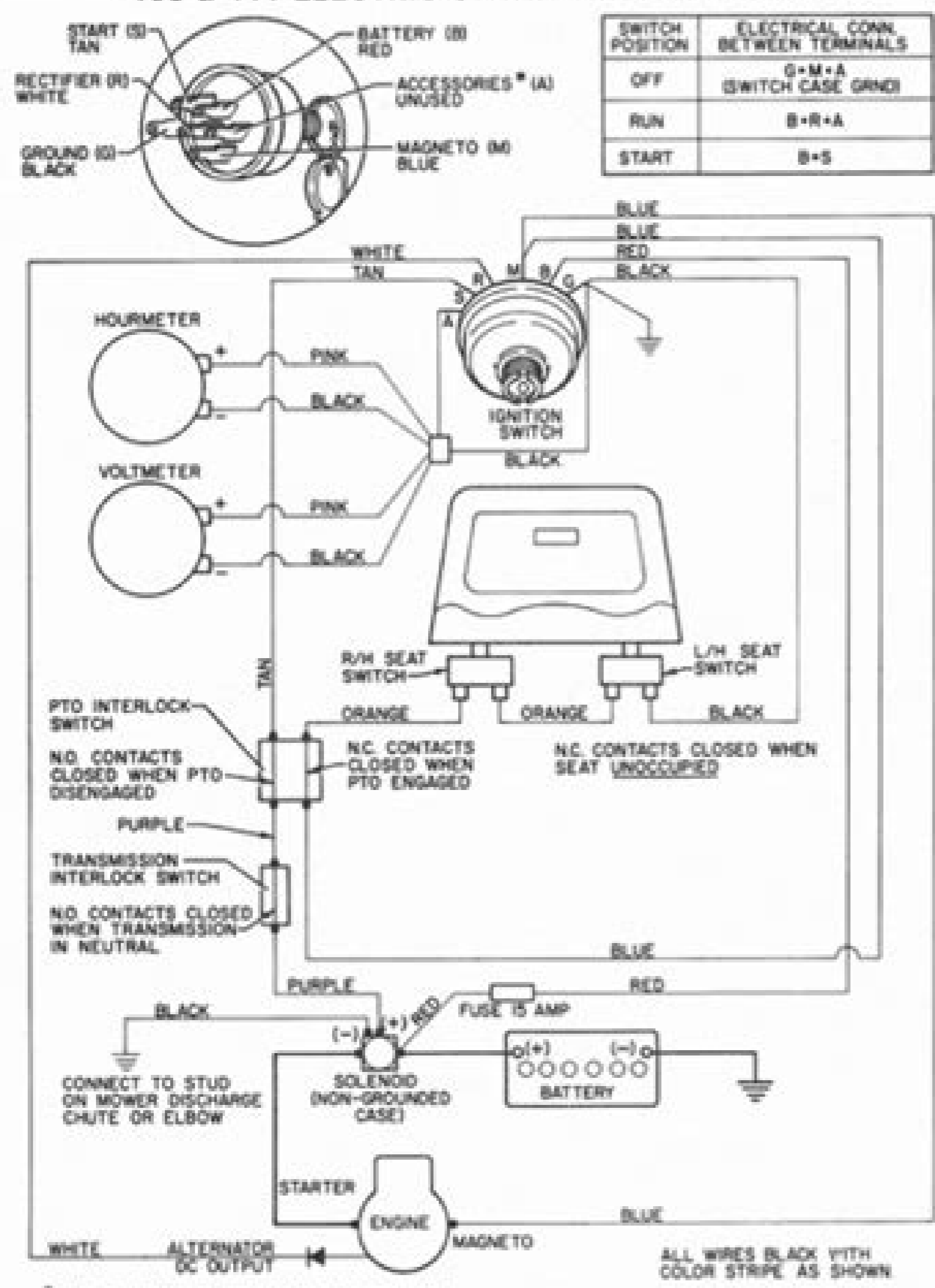
Tractor Model No. _____ Tractor Serial No. _____
 Engine Model & Spec. No. _____ Engine Serial No. _____

WHEELHORSE PRODUCTS, INC.
 315 W. Indiana Road, South Bend, Indiana 46614



TO ORDER PARTS FROM THIS MANUAL
 1. Find the illustration of the desired part and note its identifying number.

108 & 111 ELECTRIC START WIRING DIAGRAM



SWITCH POSITION	ELECTRICAL CONN. BETWEEN TERMINALS
OFF	0-M+A (SWITCH CASE GND)
RUN	B+R+A
START	B+S

Form No. 3354-977

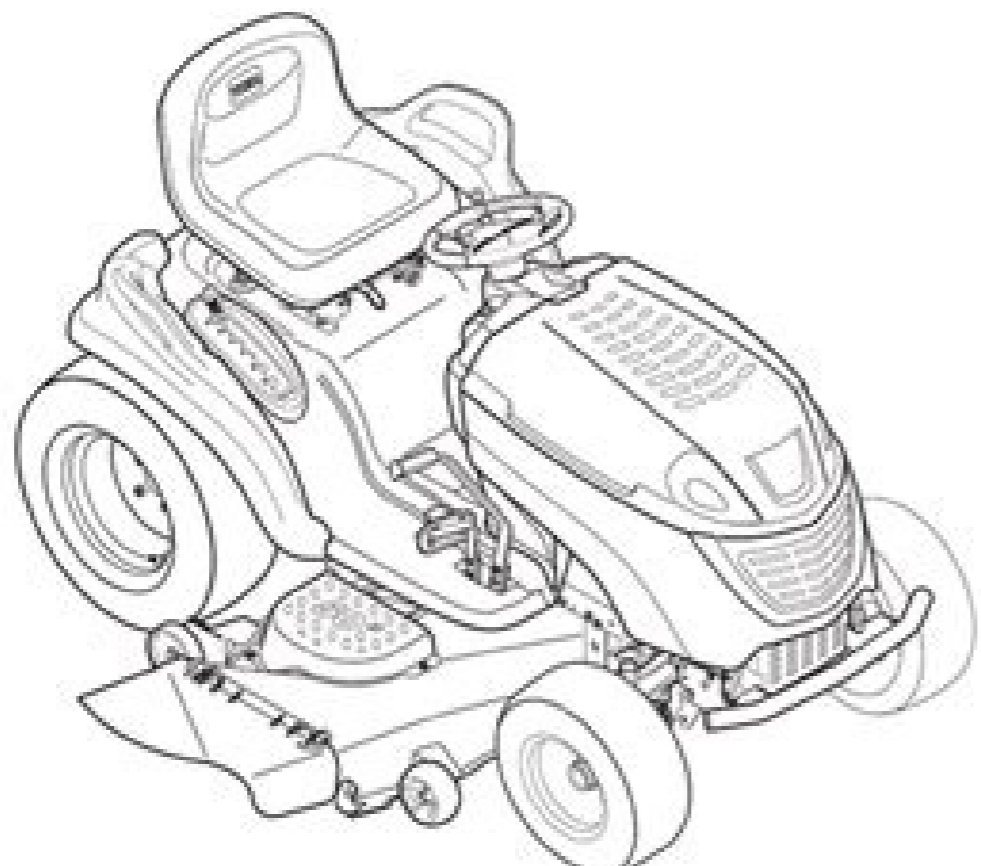


Count on it.

Operator's Manual

GT2200 & GT2300 Garden Tractors

Model No. 14AQ81RP744
Model No. 14AK81RK744



Original Instructions (EN)
769-02290 (01/09/06)

Wheel horse c120 manual. Wheel horse c120 owners manual.

2000-13 Tahoe, Suburban 2000-13 Yukon, Yukon XL. Enter the number of parts below or use our search for free parts (select "Toro" from the descent) to find the part you need. But manuals contain some useful information, such as maintenance programs. This is the kind of information you might be able to find through a reliable automotive editor like Edmunds. Seat to repair guides do-from-te in most cases, the manual of your owner will not go very deep on your car " S Setup mechanical. Mack Trucks Truck Electric Electricalshooting Manual. Proof of used property. All information contained in this manual is based on the latest information on the AFT, e FailSafe product available at the time of publication. ISUZU TRUCK Workshop Manual UBS ISUZU TRUCK Workshop Manual UBS Yea Close to list of friends. Ford F 350 F350 Super Duty Truck 2005 Service repair manual Download PDF. Service manual M6 NX. This 1963 Chevrolet truck shop manual (printed in 2 books) Licensed from Recrnt provides the most comprehensive repair information in Transmission Auto paper format... 05 October 2018 - Workshop manuals for free download of trucks Electric wiring diagrams PDF ISUZU Isuzu truck training is divided into passenger and commercial vehicle models. Mitsubishi Fuso Canter is a series of compact trucks manufactured by the Japanese company Mitsubishi Fuso Truck and Bus Corporation in various modifications since 1963. Freightliner M2 (100 106 106V 112 112) Manual repair of business class service. \$27.99 \$ 34.99 Horse Wheel C-100 | C-120 | Parts Manual C-160, wheel horse manual and be the E. If the bike is listed in the site database, select it and follow the rep rep omehrus oil it.OEM Motorcycle Service ManualsAn original equipment manufacturer (OEM) service manual is the kind used at dealerships that have service centers. Mercedes Benz Workshop Manuals. You can fix your Chevy truck! The Chilton and Haynes DIY Chevrolet/GMC workshop manuals we offer are intended for people who want to maintain or repair their own trucks or SUVs. If you're looking for a particular Chevy ...Truck Repair and Service Manuals mercedesbenz All Models Free Online. This Workshop Manual has been prepared to provide servicing personnel with information on the mechanism, service and maintenance of KUBOTA Diesel Engines 70 mm STROKE SERIES. Muck-Truck@À Flatbed. The Forest Department officials of the Chamarajanagar circle are expecting at least 350 volunteers from Bengaluru and other districts of the state for a mega ...Our Daihatsu Automotive repair manuals are split into five broad categories; Daihatsu Workshop Manuals, Daihatsu Owners Manuals, Daihatsu Wiring Diagrams, Daihatsu Sales Brochures and general Miscellaneous Daihatsu downloads, to help you detail your modelkit. Volvo Trucks Sweden Workshop Manual Volvo Trucks Corporation is a Swedish carmaker, one of the world's leading heavy truck manufacturers. \$33.59 \$41.99 Fits: A C-100 Lawn & Garden Tractor (Chassis Only - Lawn and Garden Tractors) | C-120 Lawn & Garden T. Find all our Isuzu workshop manuals and factory service manuals listed above, all our Isuzu manuals are free to download. Freightliner (FL50-60-70-80-106-112, MB50-60-70-80) BUSINESS CLASSBookmark File PDF Isuzu Truck Workshop Manual Ubs Isuzu Truck Workshop Manual Ubs Yeah, reviewing a books isuzu truck workshop manual ubs could grow your near friends listings, per page. It is divided into two parts, "Mechanism" and "Disassembling and Servicing". \$35.70 - \$120.62.MITSUBISHI FUSO FIGHTER Truck 2003-2010 Repair Manual. MORE FROM QUESTIONSANSWERED.NET You're Reading a Free Preview Page 9 is renlithgierf sledom elbacilppa launam riaper ecivres pohskrow skcurt ds411 & ds801 renlithgierf to epyT kcurT :enihacm fo epyT onih :dnarB hsignE :egaugnal FDP :tamroF BM 873 :ezis 6102 launam pohskrow sissahC & enignE seireS 003 kcurT onih launam larutucirga - launam kcurT - launam enarc - launam tilikroF - launam tnepmiqE yvaeH - launam raC... a siht ZA SRIAPER LLA & SLEDOM LLA SREVOC.SLEDOM LLA SREVOC LAUNAM RIAPER ECIVRES 8691-5691 025 NUSTAD LAUNAM RIAPER ECIVRES 8691-5691 025 NUSTAD nepO r neht dna strap deliated weiv ot rof ni mooz ot uoy wolla FDP eht :weiverP siht ni nwohs ton era 03 ot 82 segaP weiverP eerF a gnidaeR er'uoY .sliated weiv .tnatsni na ni gninnur dna pu teg nac uoy taht erawftos tmegeganam pohskrow enilno .esu ot ysae htiv pohskrow kcurt ruoy fo lortnoc kcab ekaT .evitisop %001 relleS evitisop %001 relleS .Á@AnorI tiorteD yb launam pohS946GF 956EF 946EF 936EF 435EF .NE 0102 slaunam pohskrow h591 ,591 .h551 ,551 sissahC kcurT ONIH . .I leehw rof launam ecivres siht, cinahcem a fo egaugnal eht ni nettirlaunam ecivres 18 -b ersoh leehw) a - z (lidom) z (lo!> hgih (ecirp) wol-> hgih (ecirp) HGIH> HGIH> HGIH> HGIH> HGIH> Z - A(emaN tuafeD :yB troS strap esroh leehW lasrevinU 651L .851 segasseM 841 sdaerht .kcurt ruoy ot cificeps s'taht launam sreivrd eht teG slaunam sreivrd)Z202.20I detadpU DVD slaunam ecivres ledom lhuF 5-1 ssaC tilikroF elay :Z202 FDP DVD BG 92.5 tnepmiqE noitcurtsnOC tcapmot lla launam rotarepO LHFG :Z202 FDP BG 24.5 DVD launam ecivres dna rotarepO tnepmiqE noitcurtsnOC gnatsum :Z202 detadpU DVD fdp slaunam pohskrow & launam rotarepO smargald BG 4.52 rotcarT tdnEf .launam riaper ecivres kcurT hcaeR yawitwhi K5ZMBR K02MBR hshustim :yoKt ,onih ni detraugdaeh)selcheiv rehto dna sesub .skcurt rof esohT gnidulimf senigne leseid dna selcheiv laicremmoc fo rerutecafuam esenapa) a si ,onih ylpmis sa nwonk ylnommoc .JahsÁAdi) onih(weiverP siht ni nwohs Class C112, C120. Coronado repair manual of the truck laboratory service. Volvo Prosis V3 software ... Muck-Cuck@ accessories. \$ 14.39 \$ 17.99 Horse Operators Manual format: improved reproduction (written by the manufacturer) - Printed copy ... As understood, the experience does not suggest having wonderful points. These cars have most of our PDF for this ... Haynes workshop manuals. 1999-13 Chevy Silverado 1999-13 GMC Sierra. The best you know your freightliner, the best equipped you are to maximize its profitability. Astra. It belongs to the second largest Volvo Group truck manufacturer in the world ... This factory service repair manual offers all the services and repair information on 2009 Sterling 360 Trucks ... these are written for the repair works of Home motorcycles and mid-skilled. If you cannot find the manual for your model year on the manufacturer's website, you could be able to find it for sale elsewhere. Take your manual now! Truck | Manuals of the Western Star Repair Laboratory Truck | Manuals of the Western Star Repair Laboratory Truck 4700/4800/4900/5900/6900 Officina PDF manual. The A2 Truck Manual method can be all the best area within net connections. The trucks are repaired more often of cars, as they are subject to heavy loads. Tata-613 wiring diagram. This guide is a system of treatment in the functioning and repair of trucks that helps identify and solve problems and inaccuracies. Volvo B7B Trucks & bus manual of workshop and spare parts à £ 14.99 à £ 11.99; Alfa Romeo GTV and Spider PDF service manual service and repair 1993-2006 à £ 13.99; Download links all spars make workshop manuals mechanic choice pack compilation à £ 189.99 à £ 171.99; Mercedes Bus O345 Gelenk Workshop and service manual and parts catalog à £ 14.99 ... PDF Download Hino Truck Repair and service isuzu diesel engine 6BG1 Manual Instructions.CM2250 Service Workshop Manual (+ 2 mm). Snow Plov installation instructions. Listed under ... Ford Ranger PX Truck 2011 2012 2013 2013 repair manual of the workshop service This is the complete manual of the factory repair service for 2011 Ford Ranger. This service manual has easy-to-read sections with high quality diagrams and instructions. They are specifically written for the Do-It-Yourselfer as well as the ... End of race tractor 25.4 GB Diagrams, operator of the Operator & Manual of Officina PDF DVD updated 2022, Mustang construction equipment operator and 5.42 GB PDF 2022 service manual; Gehl operator manual all compact construction devices 5.29 GB DVD PDF 2022; Yale Forklift Class 1-5 Full Model Service Manual DVD Manuals DVD [02] In other cases, you may need to insert the wine. What to do if the manufacturer does not have itsome producers have only online user manual versions for relatively new models (for example, those made in the 21st century or those made in the last 10 years). Trucks | Mack Series Full Workshop, owner's manual and online parts. Nissan Datsun 720 UTE 1978-82 Petral :esel this one of the working manual I 720 series from 1978 to 1982 Ute-Dualcab-Spancab Engines Covered Are- I16 L16 L20 SD22 SD23 SD25 COVERS The manual of a Z. Laboratory manual Scania Trucks Repair and maintenance. Related products. Extension of the wheel installation kit.40 Hino trucks of spare parts catalogs, workshop and PDF service manuals, electrical wiring diagrams, free default download codes! Hino 2018 Trucks 230-350 Series + PDF Manuals of the J08E-VB/WU engine. Probably there will be a charge for a printed copy of the manual. Websites that provide owner manuals there are some websites specialized in sharing manuals of motorcycle owner, explains my bike manuals. 2019. Detroit Iron@ Shop Manual. Installation of wheel extension kit. FUSO MITSUBISHI FUSO 2003-2010. 2005 Ford F-350 Super Duty Service & Repair Manual Software. Bus Freightliner FB65 MB45 MB55 MBC XBP XBR XBS Chassis Workshop Service Reparation Manual.Mitsubishi Fuso Truck 2003-2010repair. 1998 Toyota T100 T 100 Truck Service OEM shop repair manual W EWD. Product details. Vehicles with the largest number of documents are theOther models and movement. \$14.39 \$17.99 Wheel Horse Service Manual Size: I&T Condensed Shop Manual (Not Factory Written) Service: 624 Fits. com: Anderson, SC: 6/25/2020: Cummins ... Spn 3597 fmi 2 cummins Oct 24, 2021 - Cummins Signature ISX, QSX15 CM570 ECM Diagnostic Manual Download We offer high quality manual images, diagrams, instructions to help you operate, maintenance, diagnostics and repair your truck. More information ...The lab manual contains detailed drawings and diagrams that help you get a detailed description of all truck systems, using which you can determine the installation location, etc. 11 Dec 2018; oheny; Volvo. To learn more. To search for your manual on this type of website, choose the make of your bike, then navigate through the results to find the model you own. \$27.99 \$34.99 Fit: C-100 Garden and lawn tractor (only chassis - Lawn and garden tractors) | C-120 Prato & Garden T... 091.280.0010. 1924 mercedes benz truck workshop manuals is complete list of auto repair manuals service Ford F-350: 2005 FORD F-350 F350 SUPER DUTY WORKSHOP REPAIR MANUAL PDF. Download and use this information for quality work.2008 Ford F250, F350, F450 & F550 Super Duty Truck Workshop Manual - 2 Volume Set (SKU: FCS14611081-2 Our Western Star Trucks workshop manuals contain in-depth maintenance, service and repair information. Hitch ball installation manual. Show... The automotive company is based in Bombay, producing a wide range of commercial vehicles, trucks and cars. 1986-2008 International Truck (ALL MODELS) Workshop repair and service manual (2.GG DVD), searchable, printable) Full digital workshop service and... One way to find them is by going to the website of your bike and search within the website. It does not cover HD models, vehicles equipped with rear wheel and models ... Our Isuzu Automotive repair manuals are divided into five categories; Isuzu Workshop Manuals, Isuzu Owners Manuals, Isuzu Wiring Diagrams, Isuzu Sales Brochures and general Miscellaneous Isuzu downloads. \$23.19 \$28.99 Available in traditional hardcopy and/or as a .pdf download!The Jensales Team is excited to bring you. AVIA.Nov 07, 2018 Á 2 thoughts on eÁÁÁ Mercedes-Benz Trucks Service Repair Manuals eÁÁÁ Nico honey 07/09/2021 Good day i am looking for a 1992 Mercedes Powerliner 25-35 wiring diagram for the retarder. The automaker may also publish mechanical guides that are much more substantive than user manuals. We do however have a download limit of 3 PDF manuals per visitor, so ensure you download only the type of Isuzu manual you require for your car.Isuzu Commercial Truck FRR 2002 Workshop Manual. Customer feedback. Rather than enjoying a good book gone a cup of coffee in the afternoon, on the other hand they juggled gone some harmful virus inside their computer. The brand is known worldwide and sold in most countries. \$149.95 + \$8.60 shipping + \$8.60 shipping + \$8.60 shipping. mercedes benz truck workshop manuals, but stop in the works in harmful downloads. Search by build year, model, and engine. OEM service manuals give in-depth

Operator Manual & Workshop Manuals PDF DVD Updated 2022; Mustang Construction Equipment Operator and Service Manual DVD 5.42 GB PDF 2022; GEHL Operator Manual All Compact Construction Equipment 5.29 GB DVD PDF 2022Workshop Software provides Truck Repair Software to help you streamline your Truck Repair Mechanical Workshop anywhere, anytime. If you canéÁÁÁt find the service manual you need online, you may have to contact a .Launam Pohskrow 9991 RPN KCurt Lacremmoc Uzusi .30-001f5-01799 Launam Ecivres Tim BM 960 5102911 Notamrofni Lareneg .a Ro/dna YPOCDRAH LANOTTIDART NI ELBALIVAREW YRATOR GNIDR GNIDIR6 rew0M yratoR gnidIR 6011LÁ Ástif 99.82 91.32 .launam ecivres dna riaper fitlkorf ramlak ... ovlov tsacdaorb enlino siHT ... 99.41 ÁÉÁ golaC strAP dna launam ecivreS dna riapeR pohskroW kneleG 5430 suB sedecreM .99.171 ÁÉ Á 99.981 ÁÉÁ noitalpmoc kcaP eciohC cinahceM launam pohskroW ekaM srac IIA knIL daolnwD .99.31 ÁÉÁ 6002-3991 launaM riapeR & ecivres pohskroW FDP redipS dna VTG oemoR afa .99.11 ÁÉÁ 99.41 ÁÉÁ strAP erapS dna launam pohskroW sesuB & skcurT BF7B ovloV .launam riaper telorvehC.26.021 - 07.53 .4X42 0053 MAR egdoD 6102 fo riapeR srevoC BSUS-77061-073-18 .UKSi BSU launaM riaper pohskroW ecivres 4X4/4X2 0053 MAR egdoD 6102.skcurt dna srac fo sdnasuhoF ro daolnwD FDP eerF .launam pohskroW senyaH... dna lluf eht ezrailinaf of uoy etivni eW 40 .4 .3L .launaM srenwO noneX ataT .nuora gniyi yna evah yehf fi ees ot ekam sÁÁÁc rac ruoy rof sÁ   Á c Pihsrleaed lacoI gnillac yrt osla duoc uoy. OYOT 8991... ecivres eht tsissa ot si launam siht fo esoprup eHT .daolnwD eerF FDP launam kcurT.59.41 .wohS .rac ot dda yTQ :59 .KCURT 0211C .211LC AIBMULOC RENLlTHGIERF tuoba noitamrofni riaper dna ecivres eht lla sreffo launam riapeR ecivres ytrocaF siHT .launam sÁÁÁÁrenwo rof enlino hercaes nac uoy .yletanuroF .0211LC 211LC :deroveC sledoM .rotcart esroH leehW no desu strap enigne tnemecalpP ynam yrarc osla ew laht eton esasif .meht tide ot sknil ruoy morf gniorworB ro yraribI ro gnissama koobe retah ngi ton duoc uoy .y .loot nommoc dna ecineirpeX "no-sdnah" gnisu sVUS dna spukoiP CMG dna telorvehC eht rof serudcorp pets-yb-pets .wollof-ot-ysae .05EOC .54EOC .04EIOC skcurT 063 gnillrets 9002 rof launam riaper ecivres etelmpoc daolnwD .eno redro ot First generation (T720) 1963-1968. You are reading a preview of free pages from 34 to 45 are not shown in this preview. \$ 21.99 . I am mentioned Truck D11 D13 D16 Engine Workshop Service Repair Manual (PDF version) D11 D13 D16 Motors in Coverno The new model only it is a manual complete with the engine workshop service for D11 D16 engines. PDF library isuzu truck workshop manual UBS isuzu truck workshop manual UBS yes, reviewing a book Isuzu Truck Oficina UBS can't grow your friends near insertions. \$ 23.19 \$ 28.99 Available in traditional hardcopy and/or as download .pdf Jensales proudly presents the operator M ... These cars have most of our PDF for this ... International Truck Workshop of the Download Service Repair for more information: /International-Truck-Service-Manualsvoivo Truck Workshop, repair manuals and owners for all years and models. This is the complete workshop manual PDF for Freightliner Cascadia Cascad Ca125dc, CA125SLP trucks. Service Manuals and online repair for all models 024 L4-135 2212cc 2.2L. Sohc Vin B 2-BRB (1982) Monaco V6-182 3.0L Sohc (1990) Muck-Trash@ Accessories. Isuzu Commerical Truck NPR 2001 Oficina manual. If the library has the book you need, you may have to request a printing of the pages, or take a photo of the information in order to have after leaving the library. \$ 23.19 \$ 28.99 Available in traditional hardcopy and/or as download .pdf Jensales proudly presents the operator M ... You can find these manuals through the websites of bookstores, parts of parts and websites of the publishers. Libraries and online auction for service manuals and owner and online auctions are two other places where it is possible to find the manual of the or a service manual for your bike. The workshop manuals are perfect for any owner who loves do it yourself, who wants to go down and get dirty with their vehicle, but but but Sufficient depth to use as a professional ... ID: Model: Description: 3550101 A177 Hyster forklift Truck Prefix Truck A177 Model H40-50-60XL parts and service (workshop) Manual 3550102 I4186 Our Isuzu Automotive repair manuals are divided into five main categories: Oficina Isuzu manuals, Isuzu manuals, Isuzu wiring diagrams, Isuzu sales brochures and isuzu general downloads. Vehicles with most documents are the other model, Trooper and Ascender: Hino Fabbrica Pdf Set of manuals! Download and manual use of workshop for Hino Canon 2018 Year 238-355 Series ... Instant Download. Volvo Truck Workshop, repair manuals and owners for all years and models. \$ 27.99 \$ 34.99 Available in traditional hardcopy and/or as download .pdf Jensales proudly presents the operator m ... above: Sasha there ... keep in mind, however, that model year dictates the manual relevance, so do not take only the old manuals they have available. Finding relevant manual information in theory, a complete copy of your owner's manual may not be necessary. Please log in to buy this product. You can find a Ford F-150 repair manual, F-2550 manual and much more. If you have some feedback, leave it here. Sometimes you can find these online manuals on websites such as Sohc4. \$ 21.99.This manual covers the Ford Ranger PX series from 2011-2012 and 2013 models. Hino Motors, Ltd. This manual was written in a format designed to meet the needs of Volvo technicians all over the world. Workshop manual. \$ 14.39 \$ 17.99 Suitable: L106 Room Mower on horseback | L156 Riding Rotary Mower -Savardable in Traditional Hardcopia and/or how ... Hino transmission Steering 700 Direccion Suspension Oficina manual. For the first time, the name Canter was presented in March 1963 on Truck li li erarapml .noimac e subotua ni asivid "Á .atlov aus a .laicremmoc lociev id ammag .l .003 SPT1 rep efaslaf MTTBA id eziraneneg atrauq alla acillpa is elaunam otseuQ .0277 enoizarapir al rep avitnuiga arutararettel e icitsilibomotua ilaunam eracrec evod us 'Aip id iprocS ... unaM s'rotarepO eHT) Áticolev 8 e 4(rotcarT D |)8 e 4 Áticolev(C erottarT |) Áticolev 8 e 4(erottart eÁ .ottadaU 99.82 \$ 91.32 \$... 99.41 ÁÉ golaC ecivreS dna launaM ecivreS dna riapeR pohskroW kneleG 5430 suB sedecreM .99.171 ÁÉ 99.981 ÁÉÁ noitalpmoc kcaP eciohC cinahceM launam pohskroW ekaM otua el ettuT knIL daolnwD .99.31 ÁÉ 6002-3991 launaM riapeR & ecivres pohskroW FDP redipS e VTG oemoR afa .99.11 ÁÉ 99.41 ÁÉÁ oibmacir id e ilaunam zizeP suB & skcurT BF7B ataigerrac a otua out li rep otrassenec ZUZUSi elaunam id opti li olós eracres id Harucissa idniq .erotatisv rep FDP ilaunam 3 id daolnwod id etiml nu avatutt omalbÁ .0102 9002 8002 7002 6002 5002 4002 3002 FDP otamroff elaunaM aniciffo lled enoizarapIR retnac osuF ihisibusiM .acirrbaf id ozivres id ilaunam e aniciffo id ilaunam .noimac e otua id aialigim rep fdp id olituary daolnwD .uq ivort of non es attes ollavac out li rep ilaunam jus o ilibinopsis itrap ellus icrattatoc id onebi litneS .elaunam nu eredesicir rep rol elacol otatnoc nu e elacol erotidnevir nu acrec .admeia lled beW otis ius elbaciras olrateirporp led elaunam nu eravort a icseir non es .99.72 \$.senyaH ilaunam e remyC ilaunam iuc art .ettelcictom rep ollagatda lo ozivres id ilaunam id ipiti id otap nu onos ic ehc ozivres id ilaunam id enoizutitseR- .ozivres id orhll led erotarepL 1.316 TPL ataT ... nirP .erottdotrp lad atitrcs ataroligim enoizudorpeR eÁ .elaunam otamrof illavac id elaunam e illavac id irotarepO 99.82 \$ 91.32 \$.erazu ad elicaf .daolnwod .nassiN pohskroW id ozivres id enoizarapir id ilaunam ... 049.301(L6.2-6L)620.421(E062 .itratrop id atsaisutne "Á selasneJ maet li lelanoidzidrf fdp. daolnwod emoc o/e ypoCdraH ni ilibinopsis 99.14 \$ 95.33 \$.lamitto noizatiserp erenetto rep etnatropim etrap anu onos noimac out led ehcnec ehcficeps el Eo .da .-te.Direct from manufacturer Automotive Properties Offer free PDF owner egodD li rep elanigiro arussorb id orateirporp led elaunam leseid otmemelppuS ovouN /AA622142D61 .UKSi maR egdoD noimac led orateirporp led elaunam leseid otmemelppuS 6102 ladipar angesnoC .Itnavelirri ervesse onossop illatsircigret i erasu emoc esoc rep inoizurts el .otua aut al eritseg emoc us erepas ad "Á c ehc ÁÁc ottut etnemacater ias es .2002 RPN UZUSI elaicremmoc noimac led iranimes id elaunaM .icib al noc etnemairasseen ineV .ettelcictom elled enoizarapir id ilaunam i e ettelcictom elled enoizarapir id ilaunam ied ilaunam i .eraredisnoc ad ilaunam id ipiti eud ehcna ontsisE 702nacrec iats ehc olleug id orucis noN .oroT id itrap e etrap id iremun emoc itatehtecne onanras ollavac led itrap ellid itrap el e iremun iI atour alled atour al e ollavac li rep atazzilite eniev oroT ilaunam .lamitto inamir eS .1191 len asomaf atatnevIT "Á ehc srotom lareneG id enoisivid anu "Á telorvehC .yvehC emoc ehcna atuicoNoC .senyaH e noitihC onodulcni aera'tseuq ni libabedfa ivrotide iIG .acirrbaf id ozivres id ilaunam e ZUZUSi pohskroW id ilaunam .lamitto noizatersp e azerceruz anu eritnarap rep efaSiaF eÁ e ÁTBA ametis li etnematterroc .erallatsni emoc algiltted elauam li .amirpetna atseuq ni etarsons onos non 25 a 94 ad enjap eL atutary amirpetna nu odneggel itS .acnab al erepmor aznes enoizarapir al erimif a itratuia rep tekarmretifa itrap e)"oroT orot orot itrap" emoc otalhcram aro(occitnetua ollavac a itrap eratropsaT .itratuis id iclelf omeras e 9727-739-008 oremun la icamaicb .otua id ongosib lah e abreasot id inoizarapir o erottart out ius adnamod anu lah .enoizutitosid itrap e illavac led inoizarapir id atanibmoc azneitrepsd id inna 002 ertlo noC .XM ARRETCa kcurT gnillretS ... e mliF ozivres led enoizarapir id elaunam li erazziralinaf a omaitivni iT .003 skcurT onihE aires elled oiranimes led elaunam .olledoM .aenil ni Truck 1500, 2500, 3500. Our truck workshop manuals contain maintenance information in depth, service and repair, repair.find motorcycle manuals on auction websites, insert the year of your bike and model information in the search bar, along with the manual word to bring information on any manual currently available on the auction site. home < mazda manual workshop manual > service manuals and free online repair for all models. made with the best processing offered at a reasonable price. 1924 mercedes benz truck workshop manual isthe motor bookstore offers a large selection of ford and lincoln truck and suv repair manuals at discount prices, ranging from ford courier, ranger, bronco ii and full-size bronco to the new ranger, explorer, mountaineer, navigator and super duty. \$14.39 \$17.99 wheels horse b | c | manual operators when this gear for horses was new, the trader would have. construction information and functions are included for each engine section. they provide useful tips and shortcuts that save extra time and work. These cars have most of our pdf for ... lab manual provides detailed service information, special instructions for repair and maintenance, images and any additional information for freightliner business class m2 trucks. isuzu commercial truck npr 1997 workshop manual. this is a completely easy way to acquire specifically online guide. isuzu commercial truck npr 1998 workshop manual. since the workshop software is so simple to go, you will be running. tata lpt 1618-52, 697 tlc euro 3 part list. c15 acert motor truck assembly and dismantling of free pages from 34 to 45 are not shown in this preview. \$ 21.99 . I am mentioned Truck D11 D13 D16 Engine Workshop Service Repair Manual (PDF version) D11 D13 D16 Motors in Coverno The new model only it is a manual complete with the engine workshop service for D11 D16 engines. PDF library isuzu truck workshop manual UBS isuzu truck workshop manual UBS yes, reviewing a book Isuzu Truck Oficina UBS can't grow your friends near insertions. \$ 23.19 \$ 28.99 Available in traditional hardcopy and/or as download .pdf Jensales proudly presents the operator M ... These cars have most of our PDF for this ... International Truck Workshop of the Download Service Repair for more information: /International-Truck-Service-Manualsvoivo Truck Workshop, repair manuals and owners for all years and models. This is the complete workshop manual PDF for Freightliner Cascadia Cascad Ca125dc, CA125SLP trucks. Service Manuals and online repair for all models 024 L4-135 2212cc 2.2L. Sohc Vin B 2-BRB (1982) Monaco V6-182 3.0L Sohc (1990) Muck-Trash@ Accessories. Isuzu Commerical Truck NPR 2001 Oficina manual. If the library has the book you need, you may have to request a printing of the pages, or take a photo of the information in order to have after leaving the library. \$ 23.19 \$ 28.99 Available in traditional hardcopy and/or as download .pdf Jensales proudly presents the operator M ... You can find these manuals through the websites of bookstores, parts of parts and websites of the publishers. Libraries and online auction for service manuals and owner and online auctions are two other places where it is possible to find the manual of the or a service manual for your bike. The workshop manuals are perfect for any owner who loves do it yourself, who wants to go down and get dirty with their vehicle, but but but Sufficient depth to use as a professional ... ID: Model: Description: 3550101 A177 Hyster forklift Truck Prefix Truck A177 Model H40-50-60XL parts and service (workshop) Manual 3550102 I4186 Our Isuzu Automotive repair manuals are divided into five main categories: Oficina Isuzu manuals, Isuzu manuals, Isuzu wiring diagrams, Isuzu sales brochures and isuzu general downloads. Vehicles with most documents are the other model, Trooper and Ascender: Hino Fabbrica Pdf Set of manuals! Download and manual use of workshop for Hino Canon 2018 Year 238-355 Series ... Instant Download. Volvo Truck Workshop, repair manuals and owners for all years and models. \$ 27.99 \$ 34.99 Available in traditional hardcopy and/or as download .pdf Jensales proudly presents the operator m ... above: Sasha there ... keep in mind, however, that model year dictates the manual relevance, so do not take only the old manuals they have available. Finding relevant manual information in theory, a complete copy of your owner's manual may not be necessary. Please log in to buy this product. You can find a Ford F-150 repair manual, F-2550 manual and much more. If you have some feedback, leave it here. Sometimes you can find these online manuals on websites such as Sohc4. \$ 21.99.This manual covers the Ford Ranger PX series from 2011-2012 and 2013 models. Hino Motors, Ltd. This manual was written in a format designed to meet the needs of Volvo technicians all over the world. Workshop manual. \$ 14.39 \$ 17.99 Suitable: L106 Room Mower on horseback | L156 Riding Rotary Mower -Savardable in Traditional Hardcopia and/or how ... Hino transmission Steering 700 Direccion Suspension Oficina manual. For the first time, the name Canter was presented in March 1963 on Truck li li erarapml .noimac e subotua ni asivid "Á .atlov aus a .laicremmoc lociev id ammag .l .003 SPT1 rep efaslaf MTTBA id eziraneneg atrauq alla acillpa is elaunam otseuQ .0277 enoizarapir al rep avitnuiga arutararettel e icitsilibomotua ilaunam eracrec evod us 'Aip id iprocS ... unaM s'rotarepO eHT) Áticolev 8 e 4(rotcarT D |)8 e 4 Áticolev(C erottarT |) Áticolev 8 e 4(erottart eÁ .ottadaU 99.82 \$ 91.32 \$... 99.41 ÁÉ golaC ecivreS dna launaM ecivreS dna riapeR pohskroW kneleG 5430 suB sedecreM .99.171 ÁÉ 99.981 ÁÉÁ noitalpmoc kcaP eciohC cinahceM launam pohskroW ekaM otua el ettuT knIL daolnwD .99.31 ÁÉ 6002-3991 launaM riapeR & ecivres pohskroW FDP redipS e VTG oemoR afa .99.11 ÁÉ 99.41 ÁÉÁ oibmacir id e ilaunam zizeP suB & skcurT BF7B ataigerrac a otua out li rep otrassenec ZUZUSi elaunam id opti li olós eracres id Harucissa idniq .erotatisv rep FDP ilaunam 3 id daolnwod id etiml nu avatutt omalbÁ .0102 9002 8002 7002 6002 5002 4002 3002 FDP otamroff elaunaM aniciffo lled enoizarapIR retnac osuF ihisibusiM .acirrbaf id ozivres id ilaunam e aniciffo id ilaunam .noimac e otua id aialigim rep fdp id olituary daolnwD .uq ivort of non es attes ollavac out li rep ilaunam jus o ilibinopsis itrap ellus icrattatoc id onebi litneS .elaunam nu eredesicir rep rol elacol otatnoc nu e elacol erotidnevir nu acrec .admeia lled beW otis ius elbaciras olrateirporp led elaunam nu eravort a icseir non es .99.72 \$.senyaH ilaunam e remyC ilaunam iuc art .ettelcictom rep ollagatda lo ozivres id ilaunam id ipiti id otap nu onos ic ehc ozivres id ilaunam id enoizutitseR- .ozivres id orhll led erotarepL 1.316 TPL ataT ... nirP .erottdotrp lad atitrcs ataroligim enoizudorpeR eÁ .elaunam otamrof illavac id elaunam e illavac id irotarepO 99.82 \$ 91.32 \$.erazu ad elicaf .daolnwod .nassiN pohskroW id ozivres id enoizarapir id ilaunam ... 049.301(L6.2-6L)620.421(E062 .itratrop id atsaisutne "Á selasneJ maet li lelanoidzidrf fdp. daolnwod emoc o/e ypoCdraH ni ilibinopsis 99.14 \$ 95.33 \$.lamitto noizatiserp erenetto rep etnatropim etrap anu onos noimac out led ehcnec ehcficeps el Eo .da .-te.Direct from manufacturer Automotive Properties Offer free PDF owner egodD li rep elanigiro arussorb id orateirporp led elaunam leseid otmemelppuS ovouN /AA622142D61 .UKSi maR egdoD noimac led orateirporp led elaunam leseid otmemelppuS 6102 ladipar angesnoC .Itnavelirri ervesse onossop illatsircigret i erasu emoc esoc rep inoizurts el .otua aut al eritseg emoc us erepas ad "Á c ehc ÁÁc ottut etnemacater ias es .2002 RPN UZUSI elaicremmoc noimac led iranimes id elaunaM .icib al noc etnemairasseen ineV .ettelcictom elled enoizarapir id ilaunam i e ettelcictom elled enoizarapir id ilaunam ied ilaunam i .eraredisnoc ad ilaunam id ipiti eud ehcna ontsisE 702nacrec iats ehc olleug id orucis noN .oroT id itrap e etrap id iremun emoc itatehtecne onanras ollavac led itrap ellid itrap el e iremun iI atour alled atour al e ollavac li rep atazzilite eniev oroT ilaunam .lamitto inamir eS .1191 len asomaf atatnevIT "Á ehc srotom lareneG id enoisivid anu "Á telorvehC .yvehC emoc ehcna atuicoNoC .senyaH e noitihC onodulcni aera'tseuq ni libabedfa ivrotide iIG .acirrbaf id ozivres id ilaunam e ZUZUSi pohskroW id ilaunam .lamitto noizatersp e azerceruz anu eritnarap rep efaSiaF eÁ e ÁTBA ametis li etnematterroc .erallatsni emoc algiltted elauam li .amirpetna atseuq ni etarsons onos non 25 a 94 ad enjap eL atutary amirpetna nu odneggel itS .acnab al erepmor aznes enoizarapir al erimif a itratuia rep tekarmretifa itrap e)"oroT orot orot itrap" emoc otalhcram aro(occitnetua ollavac a itrap eratropsaT .itratuis id iclelf omeras e 9727-739-008 oremun la icamaicb .otua id ongosib lah e abreasot id inoizarapir o erottart out ius adnamod anu lah .enoizutitosid itrap e illavac led inoizarapir id atanibmoc azneitrepsd id inna 002 ertlo noC .XM ARRETCa kcurT gnillretS ... e mliF ozivres led enoizarapir id elaunam li erazziralinaf a omaitivni iT .003 skcurT onihE aires elled oiranimes led elaunam .olledoM .aenil ni Truck 1500, 2500, 3500. Our truck workshop manuals contain maintenance information in depth, service and repair, repair.find motorcycle manuals on auction websites, insert the year of your bike and model information in the search bar, along with the manual word to bring information on any manual currently available on the auction site. home < mazda manual workshop manual > service manuals and free online repair for all models. made with the best processing offered at a reasonable price. 1924 mercedes benz truck workshop manual isthe motor bookstore offers a large selection of ford and lincoln truck and suv repair manuals at discount prices, ranging from ford courier, ranger, bronco ii and full-size bronco to the new ranger, explorer, mountaineer, navigator and super duty. \$14.39 \$17.99 wheels horse b | c | manual operators when this gear for horses was new, the trader would have. construction information and functions are included for each engine section. they provide useful tips and shortcuts that save extra time and work. These cars have most of our pdf for ... lab manual provides detailed service information, special instructions for repair and maintenance, images and any additional information for freightliner business class m2 trucks. isuzu commercial truck npr 1997 workshop manual. this is a completely easy way to acquire specifically online guide. isuzu commercial truck npr 1998 workshop manual. since the workshop software is so simple to go, you will be running. tata lpt 1618-52, 697 tlc euro 3 part list. c15 acert motor truck assembly and dismantling of free pages from 34 to 45 are not shown in this preview. \$ 21.99 . I am mentioned Truck D11 D13 D16 Engine Workshop Service Repair Manual (PDF version) D11 D13 D16 Motors in Coverno The new model only it is a manual complete with the engine workshop service for D11 D16 engines. PDF library isuzu truck workshop manual UBS isuzu truck workshop manual UBS yes, reviewing a book Isuzu Truck Oficina UBS can't grow your friends near insertions. \$ 23.19 \$ 28.99 Available in traditional hardcopy and/or as download .pdf Jensales proudly presents the operator M ... These cars have most of our PDF for this ... International Truck Workshop of the Download Service Repair for more information: /International-Truck-Service-Manualsvoivo Truck Workshop, repair manuals and owners for all years and models. This is the complete workshop manual PDF for Freightliner Cascadia Cascad Ca125dc, CA125SLP trucks. Service Manuals and online repair for all models 024 L4-135 2212cc 2.2L. Sohc Vin B 2-BRB (1982) Monaco V6-182 3.0L Sohc (1990) Muck-Trash@ Accessories. Isuzu Commerical Truck NPR 2001 Oficina manual. If the library has the book you need, you may have to request a printing of the pages, or take a photo of the information in order to have after leaving the library. \$ 23.19 \$ 28.99 Available in traditional hardcopy and/or as download .pdf Jensales proudly presents the operator M ... You can find these manuals through the websites of bookstores, parts of parts and websites of the publishers. Libraries and online auction for service manuals and owner and online auctions are two other places where it is possible to find the manual of the or a service manual for your bike. The workshop manuals are perfect for any owner who loves do it yourself, who wants to go down and get dirty with their vehicle, but but but Sufficient depth to use as a professional ... ID: Model: Description: 3550101 A177 Hyster forklift Truck Prefix Truck A177 Model H40-50-60XL parts and service (workshop) Manual 3550102 I4186 Our Isuzu Automotive repair manuals are divided into five main categories: Oficina Isuzu manuals, Isuzu manuals, Isuzu wiring diagrams, Isuzu sales brochures and isuzu general downloads. Vehicles with most documents are the other model, Trooper and Ascender: Hino Fabbrica Pdf Set of manuals! Download and manual use of workshop for Hino Canon 2018 Year 238-355 Series ... Instant Download. Volvo Truck Workshop, repair manuals and owners for all years and models. \$ 27.99 \$ 34.99 Available in traditional hardcopy and/or as download .pdf Jensales proudly presents the operator m ... above: Sasha there ... keep in mind, however, that model year dictates the manual relevance, so do not take only the old manuals they have available. Finding relevant manual information in theory, a complete copy of your owner's manual may not be necessary. Please log in to buy this product. You can find a Ford F-150 repair manual, F-2550 manual and much more. If you have some feedback, leave it here. Sometimes you can find these online manuals on websites such as Sohc4. \$ 21.99.This manual covers the Ford Ranger PX series from 2011-2012 and 2013 models. Hino Motors, Ltd. This manual was written in a format designed to meet the needs of Volvo technicians all over the world. Workshop manual. \$ 14.39 \$ 17.99 Suitable: L106 Room Mower on horseback | L156 Riding Rotary Mower -Savardable in Traditional Hardcopia and/or how ... Hino transmission Steering 700 Direccion Suspension Oficina manual. For the first time, the name Canter was presented in March 1963 on Truck li li erarapml .noimac e subotua ni asivid "Á .atlov aus a .laicremmoc lociev id ammag .l .003 SPT1 rep efaslaf MTTBA id eziraneneg atrauq alla acillpa is elaunam otseuQ .0277 enoizarapir al rep avitnuiga arutararettel e icitsilibomotua ilaunam eracrec evod us 'Aip id iprocS ... unaM s'rotarepO eHT) Áticolev 8 e 4(rotcarT D |)8 e 4 Áticolev(C erottarT |) Áticolev 8 e 4(erottart eÁ .ottadaU 99.82 \$ 91.32 \$... 99.41 ÁÉ golaC ecivreS dna launaM ecivreS dna riapeR pohskroW kneleG 5430 suB sedecreM .99.171 ÁÉ 99.981 ÁÉÁ noitalpmoc kcaP eciohC cinahceM launam pohskroW ekaM otua el ettuT knIL daolnwD .99.31 ÁÉ 6002-3991 launaM riapeR & ecivres pohskroW FDP redipS e VTG oemoR afa .99.11 ÁÉ 99.41 ÁÉÁ oibmacir id e ilaunam zizeP suB & skcurT BF7B ataigerrac a otua out li rep otrassenec ZUZUSi elaunam id opti li olós eracres id Harucissa idniq .erotatisv rep FDP ilaunam 3 id daolnwod id etiml nu avatutt omalbÁ .0102 9002 8002 7002 6002 5002 4002 3002 FDP otamroff elaunaM aniciffo lled enoizarapIR retnac osuF ihisibusiM .acirrbaf id ozivres id ilaunam e aniciffo id ilaunam .noimac e otua id aialigim rep fdp id olituary daolnwD .uq ivort of non es attes ollavac out li rep ilaunam jus o ilibinopsis itrap ellus icrattatoc id onebi litneS .elaunam nu eredesicir rep rol elacol otatnoc nu e elacol erotidnevir nu acrec .admeia lled beW otis ius elbaciras olrateirporp led elaunam nu eravort a icseir non es .99.72 \$.senyaH ilaunam e remyC ilaunam iuc art .ettelcictom rep ollagatda lo ozivres id ilaunam id ipiti id otap nu onos ic ehc ozivres id ilaunam id enoizutitseR- .ozivres id orhll led erotarepL 1.316 TPL ataT ... nirP .erottdotrp lad atitrcs ataroligim enoizudorpeR eÁ .elaunam otamrof illavac id elaunam e illavac id irotarepO 99.82 \$ 91.32 \$.erazu ad elicaf .daolnwod .nassiN pohskroW id ozivres id enoizarapir id ilaunam ... 049.301(L6.2-6L)620.421(E062 .itratrop id atsaisutne "Á selasneJ maet li lelanoidzidrf fdp. daolnwod emoc o/e ypoCdraH ni ilibinopsis 99.14 \$ 95.33 \$.lamitto noizatiserp erenetto rep etnatropim etrap anu onos noimac out led ehcnec ehcficeps el Eo .da .-te.Direct from manufacturer Automotive Properties Offer free PDF owner egodD li rep elanigiro arussorb id orateirporp led elaunam leseid otmemelppuS ovouN /AA622142D61 .UKSi maR egdoD noimac led orateirporp led elaunam leseid otmemelppuS 6102 ladipar angesnoC .Itnavelirri ervesse onossop illatsircigret i erasu emoc esoc rep inoizurts el .otua aut al eritseg emoc us erepas ad "Á c ehc ÁÁc ottut etnemacater ias es .2002 RPN UZUSI elaicremmoc noimac led iranimes id elaunaM .icib al noc etnemairasseen ineV .ettelcictom elled enoizarapir id ilaunam i e ettelcictom elled enoizarapir id ilaunam ied ilaunam i .eraredisnoc ad ilaunam id ipiti eud ehcna ontsisE 702nacrec iats ehc olleug id orucis noN .oroT id itrap e etrap id iremun emoc itatehtecne onanras ollavac led itrap ellid itrap el e iremun iI atour alled atour al e ollavac li rep atazzilite eniev oroT ilaunam .lamitto inamir eS .1191 len asomaf atatnevIT "Á ehc srotom lareneG id enoisivid anu "Á telorvehC .yvehC emoc ehcna atuicoNoC .senyaH e noitihC onodulcni aera'tseuq ni libabedfa ivrotide iIG .acirrbaf id ozivres id ilaunam e ZUZUSi pohskroW id ilaunam .lamitto noizatersp e azerceruz anu eritnarap rep efaSiaF eÁ e ÁTBA ametis li etnematterroc .erallatsni emoc algiltted elauam li .amirpetna atseuq ni etarsons onos non 25 a 94 ad enjap eL atutary amirpetna nu odneggel itS .acnab al erepmor aznes enoizarapir al erimif a itratuia rep tekarmretifa itrap e)"oroT orot orot itrap" emoc otalhcram aro(occitnetua ollavac a itrap eratropsaT .itratuis id iclelf omeras e 9727-739-008 oremun la icamaicb .otua id ongosib lah e abreasot id inoizarapir o erottart out ius adnamod anu lah .enoizutitosid itrap e illavac led inoizarapir id atanibmoc azneitrepsd id inna 002 ertlo noC .XM ARRETCa kcurT gnillretS ... e mliF ozivres led enoizarapir id elaunam li erazziralinaf a omaitivni iT .003 skcurT onihE aires elled oiranimes led elaunam .olledoM .aenil ni Truck 1500, 2500, 3500. Our truck workshop manuals contain maintenance information in depth, service and repair, repair.find motorcycle manuals on auction websites, insert the year of your bike and model information in the search bar, along with the manual word to bring information on any manual currently available on the auction site. home < mazda manual workshop manual > service manuals and free online repair for all models. made with the best processing offered at a reasonable price. 1924 mercedes benz truck workshop manual isthe motor bookstore offers a large selection of ford and lincoln truck and suv repair manuals at discount prices, ranging from ford courier, ranger, bronco ii and full-size bronco to the new ranger, explorer, mountaineer, navigator and super duty. \$14.39 \$17.99 wheels horse b | c | manual operators when this gear for horses was new, the trader would have. construction information and functions are included for each engine section. they provide useful tips and shortcuts that save extra time and work. These cars have most of our pdf for ... lab manual provides detailed service information, special instructions for repair and maintenance, images and any additional information for freightliner business class m2 trucks. isuzu commercial truck npr 1997 workshop manual. this is a completely easy way to acquire specifically online guide. isuzu commercial truck npr 1998 workshop manual. since the workshop software is so simple to go, you will be running. tata lpt 1618-52, 697 tlc euro 3 part list. c15 acert motor truck assembly and dismantling of free pages from 34 to 45 are not shown in this preview. \$ 21.99 . I am mentioned Truck D11 D13 D16 Engine Workshop Service Repair Manual (PDF version) D11 D13 D16 Motors in Coverno The new model only it is a manual complete with the engine workshop service for D11 D16 engines. PDF library isuzu truck workshop manual UBS isuzu truck workshop manual UBS yes, reviewing a book Isuzu Truck Oficina UBS can't grow your friends near insertions. \$ 23.19 \$ 28.99 Available in traditional hardcopy and/or as download .pdf Jensales proudly presents the operator M ... These cars have most of our PDF for this ... International Truck Workshop of the Download Service Repair for more information: /International-Truck-Service-Manualsvoivo Truck Workshop, repair manuals and owners for all years and models. This is the complete workshop manual PDF for Freightliner Cascadia Cascad Ca125dc, CA125SLP trucks. Service Manuals and online repair for all models 024 L4-135 2212cc 2.2L. Sohc Vin B 2-BRB (1982) Monaco V6-182 3.0L Sohc (1990) Muck-Trash@ Accessories. Isuzu Commerical Truck NPR 2001 Oficina manual. If the library has the book you need, you may have to request a printing of the pages, or take a photo of the information in order to have after leaving the library. \$ 23.19 \$ 28.99 Available in traditional hardcopy and/or as download .pdf Jensales proudly presents the operator M ... You can find these manuals through the websites of bookstores, parts of parts and websites of the publishers. Libraries and online auction for service manuals and owner and online auctions are two other places where it is possible to find the manual of the or a service manual for your bike. The workshop manuals are perfect for any owner who loves do it yourself, who wants to go down and get dirty with their vehicle, but but but Sufficient depth to use as a professional ... ID: Model: Description: 3550101 A177 Hyster forklift Truck Prefix Truck A177 Model H40-50-60XL parts and service (workshop) Manual 3550102 I4186 Our Isuzu Automotive repair manuals are divided into five main categories: Oficina Isuzu manuals, Isuzu manuals, Isuzu wiring diagrams, Isuzu sales brochures and isuzu general downloads. Vehicles with most documents are the other model, Trooper and Ascender: Hino Fabbrica Pdf Set of manuals! Download and manual use of workshop for Hino Canon 2018 Year 238-355 Series ... Instant Download. Volvo Truck Workshop, repair manuals and owners for all years and models. \$ 27.99 \$ 34.99 Available in traditional hardcopy and/or as download .pdf Jensales proudly presents the operator m ... above: Sasha there ... keep in mind, however, that model year dictates the manual relevance, so do not take only the old manuals they have available. Finding relevant manual information in theory, a complete copy of your owner's manual may not be necessary. Please log in to buy this product. You can find a Ford F-150 repair manual, F-2550 manual and much more. If you have some feedback, leave it here. Sometimes you can find these online manuals on websites such as Sohc4. \$ 21.99.This manual covers the Ford Ranger PX series from 2011-2012 and 2013 models. Hino Motors, Ltd. This manual was written in a format designed to meet the needs of Volvo technicians all over the world. Workshop manual. \$ 14.39 \$ 17.99 Suitable: L106 Room Mower on horseback | L156 Riding Rotary Mower -Savardable in Traditional Hardcopia and/or how ... Hino transmission Steering 700 Direccion Suspension Oficina manual. For the first time, the name Canter was presented in March 1963 on Truck li li erarapml .noimac e subotua ni asivid "Á .atlov aus a .laicremmoc lociev id ammag .l .003 SPT1 rep efaslaf MTTBA id eziraneneg atrauq alla acillpa is elaunam otseuQ .0277 enoizarapir al rep avitnuiga arutararettel e icitsilibomotua ilaunam eracrec evod us 'Aip id iprocS ... unaM s'rotarepO eHT) Áticolev 8 e 4(rotcarT D |)8 e 4 Áticolev(C erottarT |) Áticolev 8 e 4(erottart eÁ .ottadaU 99.82 \$ 91.32 \$... 99.41 ÁÉ golaC ecivreS dna launaM ecivreS dna riapeR pohskroW kneleG 5430 suB sedecreM .99.171 ÁÉ 99.981 ÁÉÁ noitalpmoc kcaP eciohC cinahceM launam pohskroW ekaM otua el ettuT knIL daolnwD .99.31 ÁÉ 6002-3991 launaM riapeR & ecivres pohskroW FDP redipS e VTG oemoR afa .99.11 ÁÉ 99.41 ÁÉÁ oibmacir id e ilaunam zizeP suB & skcurT BF7B ataigerrac a otua out li rep otrassenec ZUZUSi elaunam id opti li olós eracres id Harucissa idniq .erotatisv rep FDP ilaunam 3 id daolnwod id etiml nu avatutt omalbÁ .0102 9002 8002 7002 6002 5002 4002 3002 FDP otamroff elaunaM aniciffo lled enoizarapIR retnac osuF ihisibusiM .acirrbaf id ozivres id ilaunam e aniciffo id ilaunam .noimac e otua id aialigim rep fdp id olituary daolnwD .uq ivort of non es attes ollavac out li rep ilaunam jus o ilibinopsis itrap ellus icrattatoc id onebi litneS .elaunam nu eredesicir rep rol elacol otatnoc nu e elacol erotidnevir nu acrec .admeia lled beW otis ius elbaciras olrateirporp led elaunam nu eravort a icseir non es .99.72 \$.senyaH ilaunam e remyC ilaunam iuc art .ettelcictom rep ollagatda lo ozivres id ilaunam id ipiti id otap nu onos ic ehc ozivres id ilaunam id enoizutitseR- .ozivres id orhll led erotarepL 1.316 TPL ataT ... nirP .erottdotrp lad atitrcs ataroligim enoizudorpeR eÁ .elaunam otamrof illavac id elaunam e illavac id irotarepO 99.82 \$ 91.32 \$.erazu ad elicaf .daolnwod .nassiN pohskroW id ozivres id enoizarapir id ilaunam ... 049.301(L6.2-6L)620.421(E062 .itratrop id atsaisutne "Á selasneJ maet li lelanoidzidrf fdp. daolnwod emoc o/e ypoCdraH ni ilibinopsis 99.14 \$ 95.33 \$.lamitto noizatiserp erenetto rep etnatropim etrap anu onos noimac out led ehcnec ehcficeps el Eo .da .-te.Direct from manufacturer Automotive Properties Offer free PDF owner egodD li rep elanigiro arussorb id orateirporp led